

EK30 FDC S 2.6

Fibre distribution cabinet

All Langmatz fibre distribution cabinets (FDC) can be used for Passive Optical Network (PON) and for Point to Point-Ethernet (PtP) technology in the optical fibre access network.

The EK30 S 2.6 was designed for use in suburbs and rural areas in which the network connection of single-family homes and multi-family homes is primarily planned. The fibre distribution cabinet is designed for 24 micro-ducts with a diameter of 7 mm, 10 mm or 12 mm. DUO clamps and DUO fixing lugs can be used to accommodate a mixture of diameters.

The outgoing micro-ducts are held securely in the combination of base plate, Duo clamps and strain relief lugs. They are either designed for \varnothing 7/10 mm or \varnothing 12 mm. The insertion and mounting aid enables the micro-ducts to be installed quickly and easily.

The outgoing micro cables can be ideally inserted, as the micro-ducts can be easily removed from the Duo clamps and so guarantee simple access for the fibre blowing process. Optical fibre cables in micro-ducts as well as buried cables can be inserted and held in the fibre distribution cabinet in the feeder section on the left. Just above this is an option to store excess lengths of unused or uncut bundled loose tube fibres (loop function).

The FDC EK30 S 2.6 meets the criteria of Germany's National Broadband Funding Programme.



▲ EK30 FDC S 2.6 without front cover

Advantages of the EK30 FDC S 2.6

- 24 x micro-ducts with \varnothing 7 mm or \varnothing 10 mm and 24 x optical fibre micro cables with \varnothing 1.3 mm to \varnothing 4.0 mm
- 24 x micro-ducts with \varnothing 12 mm and 24 x optical fibre micro cables with \varnothing 1.3 mm to \varnothing 4.0 mm
- New: Cable organiser for \varnothing 2.5 - \varnothing 4.0 mm
- Insertion and mounting aid for the simplified insertion of the micro-ducts through the base plate
- Up to 8 x micro-ducts and mini cables are possible in the feeder section (standard = 4)
- Improved micro cable routing, thanks to the optimised position of the micro cable organiser



▲ EK30 FDC S 2.6 without front cover and top access cover

EK30 FDC S 2.6

Fibre distribution cabinet

Functional arrangement of fibre distribution cabinets

Fibre feeder (access) section:

- Micro-ducts/mini cable access with fixing and strain relief for up to 8 x micro-ducts Ø 6.5 - 20 mm and associated mini cables up to max. Ø 10 mm (standard: 4 x micro-ducts or mini cables)
- Optimised micro cable routing throughout, from entry port, sealing and strain relief to the splice tray section
- Base plate for routing and sealing the micro-pipes and optical fibre cables, including organisation and individual strain relief of the micro-pipes
- Possible looping and stowage of uncut bundled loose tube fibres / stowage of excess length of up to 6 m

Outgoing distribution section:

- Micro cable organiser for different diameters:
 - 1.3 mm
 - 1.8 mm
 - 2.5 mm
 - 2.8 - 3.0 mm
 - 3.5 mm
 - 3.8 - 4.0 mm
 - **NEW: 2.5 - 4.0 mm**
- Full frontal access capacity for 24 x Ø 7 mm / 24 x Ø 10 mm using the Duo clamp organiser or 24 x Ø 12 mm
- Micro-ducts management system with Duo fixing lugs (Ø 7 mm and Ø 10 mm) or fixing lug (Ø 12 mm) for the tool-free organisation and fixing of the outgoing micro-ducts
- Use of commercially available micro-duct gas stops

Optical fibre installation kit:

- Mounting panel equipped with organiser modules to accommodate E&MMS splice tray system
- Fibre tray slots for up to 36 E&MMS splice trays (5 mm) (maximum of 432 splices) or up to 18 splice trays (10 mm)
- Simple configuration of splice trays and tool-free exchange possible
- Protective cover for the splice tray section

Advantages of outdoor cabinets

- Outdoor cabinet made of modified polycarbonate (PC)
- UV- and weather-resistant, self-extinguishing, environmentally friendly and recyclable
- Front cover with:
 - Turning lever closing mechanism prepared for two profile half cylinder locks
 - Good accessibility for installation, maintenance and operation
 - Anti-poster surface, protects against posters and stickers
 - Protection against forced entry tested based on RC2 DIN EN 1627



▲ EK30 FDC S 2.6 open



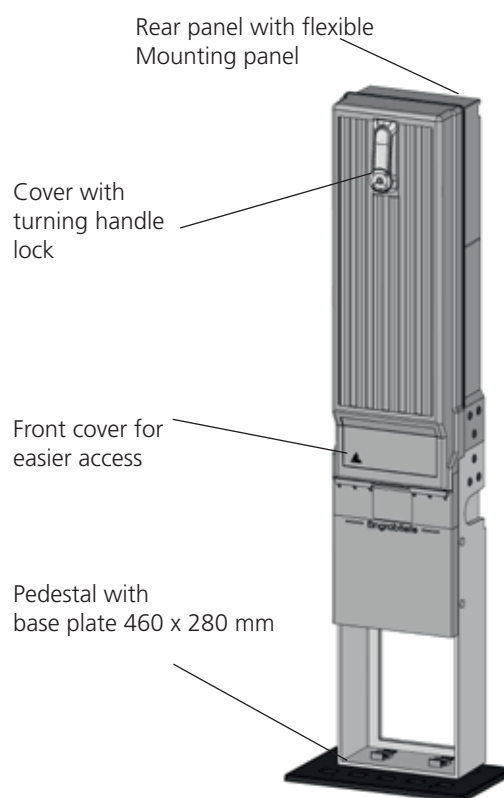
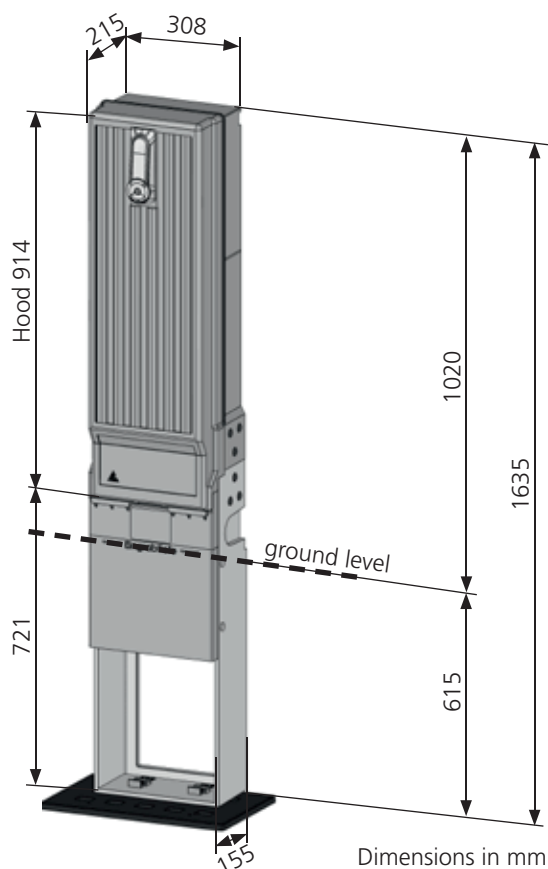
▲ EK30 FDC S 2.6 closed

EK30 FDC S 2.6

Fibre distribution cabinet

Outdoor cabinet technical data and configuration

Designation	EK30 FDC S 2.6
Dimensions	Height including pedestal: 1635 mm, width 308 mm Depth 215 mm (with turning lever max. 248 mm)
Weight	approx. 24 kg empty
Material	Polycarbonate (PC)
Colour	RAL 7038
Protection rating:	IP 54
Impact resistance:	IK 10



Accessories

- Labelling plate for required for Germany's National Broadband Funding Programme.
- E&MMS splice tray system for single and multiple fibre management
 - Stowage of up to 12 splices per tray
- Optical splitter/coupler
 - Available in different configurations and suitable for many applications
- Various sizes of fixing lugs and micro cable organisers
- Strain relief bracket for the feeder section, optical fibre cable slots no. 5 - 8 (loop option available)

