

# EK410 flex – Underground distribution systems

## Product features – Body

### ▲ Innovative manhole structure with 3D ribFrame

Modular, resistant, and durable system solution that can be adapted to the specific location

### ▲ Modular manhole structure

Flexible, adapts to the respective situation, and easy to handle

### ▲ Modified polycarbonate (PC)

Hard-wearing, certified groundwater compatibility, UV-resistant



## Product features – Cover

### ▲ Submersion hood (swivelling)

Ideal for areas at risk of flooding

### ▲ Locking mechanism and cable outlet flush with the ground

No risk of tripping; secure cable routing with shear protection

### ▲ Cover/submersion hood safety catch

Enhanced accident prevention and safe operation of the equipment compartment

### ▲ Opening support for submersion hood

Ease of opening due to low weight of submersion hood, or using two stainless steel gas springs

### ▲ Locking mechanism requires a special key

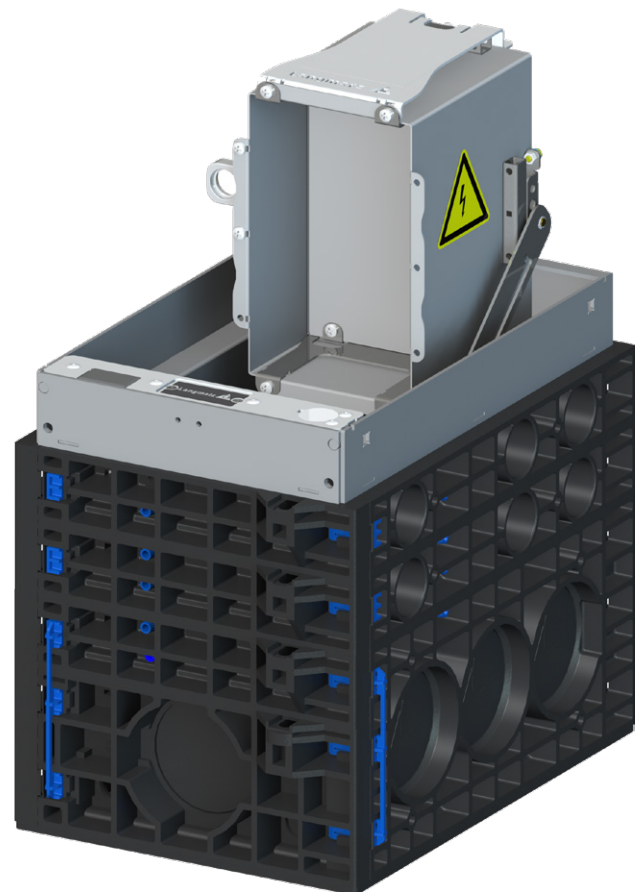
Protection against unauthorised access – Security

### ▲ Positive opening function

Access also when iced over; dirt-resistant

### ▲ Cover/lid

Plastic cover and submersion hood permit the transmission of radio waves

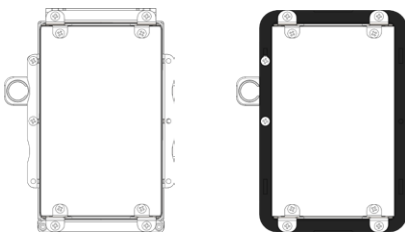


▲ EK410 flex - stainless steel (V2A) submersion hood

## Submersion hood extension variants

### ▲ Mounting panel

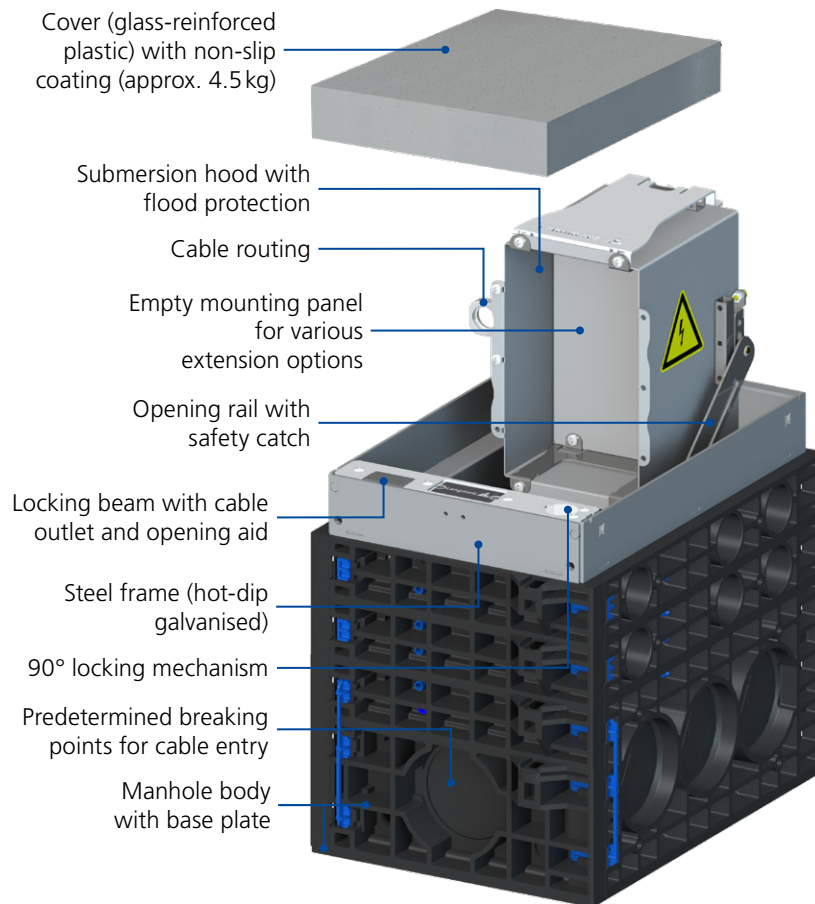
- Individualised extension options are possible for the submersion hood



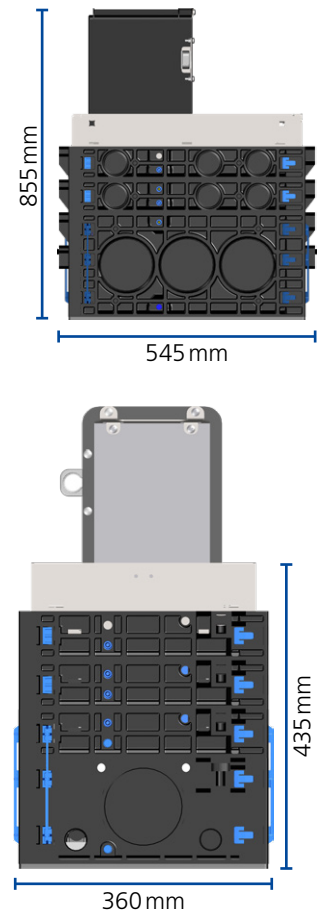
▲ EK410 flex - with plastic cover

▲ EK410 flex - plastic submersion hood

## Structure



## Dimensions



## Technical data

<b>Designation</b>	EK410 flex
<b>Clear dimensions</b>	250 x 400 mm (WxD) - other heights available
<b>External dimensions</b>	360 x 545 x 435 mm/opens to 855 mm (W x L x H)
<b>Total weight</b>	Approx. 29 kg
<b>Cover weight</b>	Approx. 4.5 kg
<b>Max. load class</b>	125 kN or 12.5 tonnes
<b>Protection rating</b>	closed: IP 48/open: IP 44 (as per DIN EN 60529)
<b>Maximum installation space for submersion hood</b>	147 x 224 x 105 mm (W x L x D), max. installation depth of electrical components 45 mm for a 1 m water column
<b>Cover material</b>	Cover: plastic (glass-reinforced plastic) with non-slip coating Steel frame: steel (hot-dip galvanised)
<b>Submersion hood material</b>	polypropylene (PP) or stainless steel (V2A)
<b>Mounting panel material</b>	polycarbonate (PC)
<b>Body material</b>	polycarbonate (PC)